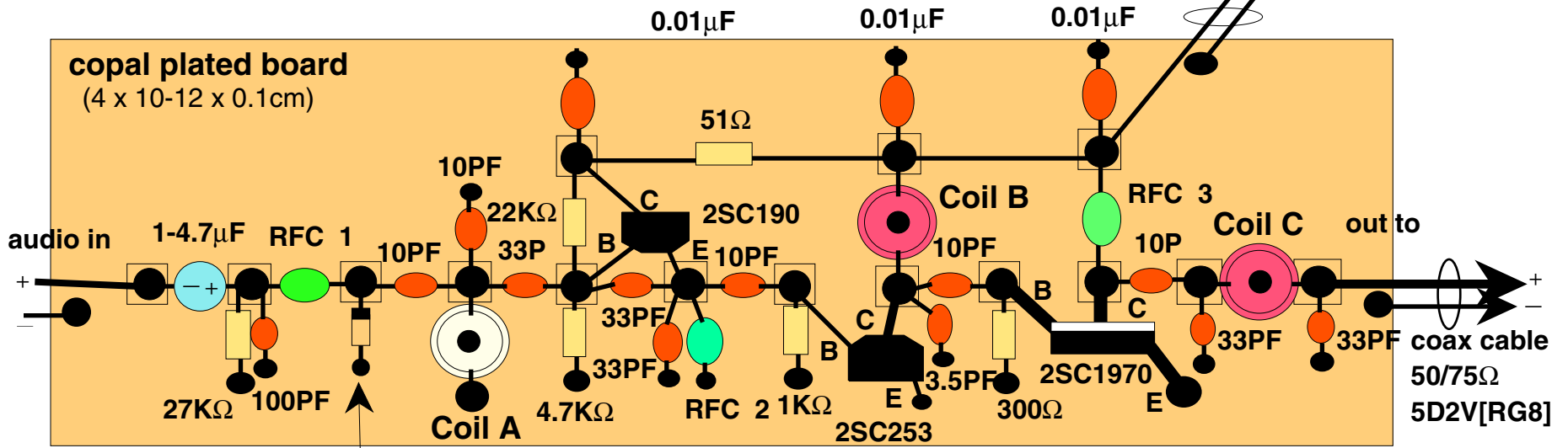


# FM Transmitter for 88 - 108 MHz

Coil A (to change frequency) = 8.5 turns  
 Coil B/C (to adjust matching) = 3.5-4 $\beta$  turns

12-14volts DC power in



1SV101(Toshiba) :variable capacitance diode: audio signals change the value and make frequency modulation (FM).

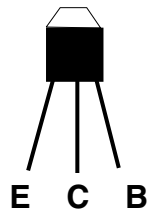
● : direct to the ground



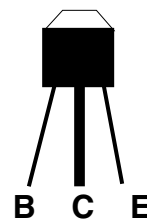
◻● : insulated from the ground



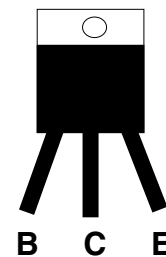
2SC1907



2SC2053



2SC1970



RFC 1-3 : 1 - 4  $\mu$ H

You can use the compatible transistors: check the website.